



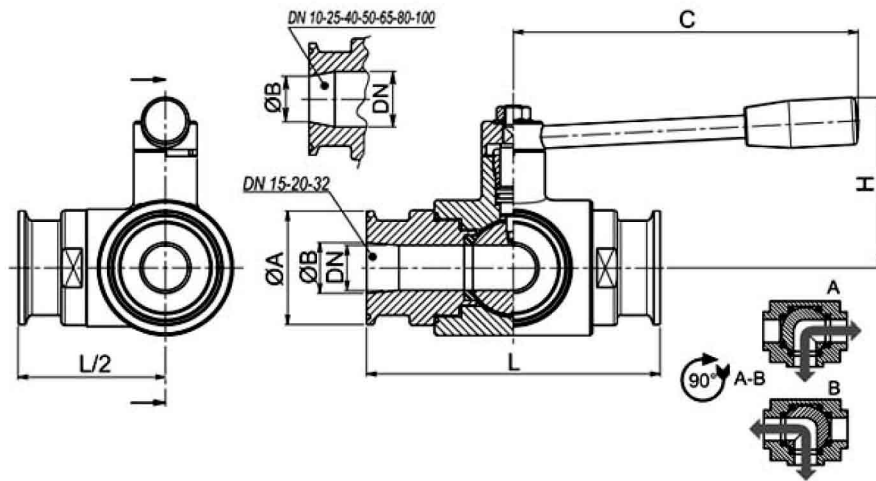
310130_BS

THREE-way ball valve 4 seals with "L" port
 Drive: Inox lever
 Connection: **CLAMP normative DIN 32676 TAB.4 REIHE C**
According to normative BS/OD (ASTM A270) for TUBE
 Flow: full and reduced
 Material: Aisi 304L e 316L
 Measure: from 1/2" to 4"
 Seals: virgin P.T.F.E.
 Operating temperature: -20°C +160°C
 Outer finish: polished

On request

Antistatic device ATEX (Directive 94/9/EC)

- KF connection
- Seals made of:
 P.T.F.E. with glass
 P.T.F.E. with carbographe
 High-molecular weight polyethylene



CLAMP REIHE C DN/OD	DN	L	Ø A	Ø B	C	H	PN	Kg	CODE AISI 304L	CODE AISI 316L
1/2"	10	108	25	9,7	110	60	40	1,08		310130 61210
3/4"	15	118	25	16	110	65	40	1,31		310130 61810
1"	20	130	50,5	22,2	160	70	40	2,47		310130 62410
1"	25	140	50,5	22,2	160	80	40	3,17	310130 42610	310130 62610
1*1/2	32	156	50,5	34,8	190	95	40	4,98	310130 43210	310130 63210
1*1/2	40	172	50,5	34,8	190	110	40	7,40	310130 43410	310130 63410
2"	50	182	64	47,5	235	120	25	8,80	310130 43810	310130 63810
2*1/2 *	65	196	77,5	60,2	285	130	25	11,18	310130 44410	310130 64410
3" *	80	256	91	72,6	310	145	16	22,76	310130 44810	310130 64810
4" *	100	286	119	97,6	310	160	16	35,44	310130 45410	310130 65410

* Four way