



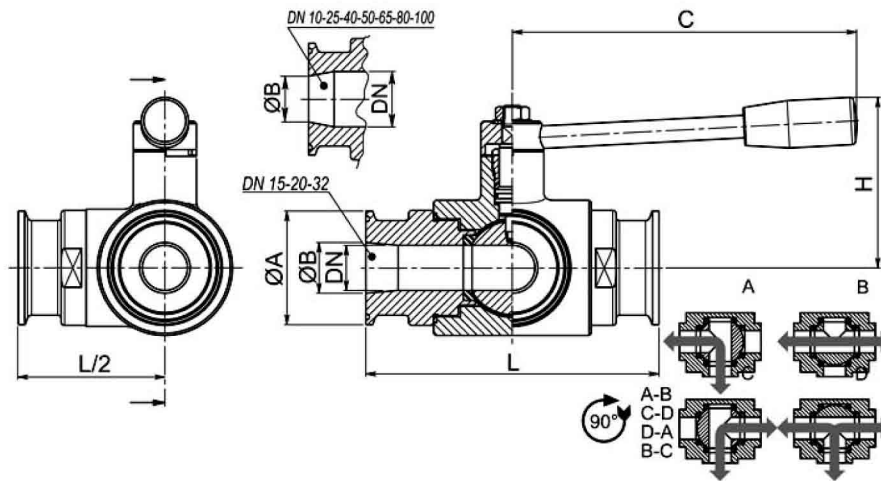
## 300130\_BS

THREE-way ball valve 4 seals with "T" port  
 Drive: Inox lever  
 Connection: **CLAMP normative DIN 32676 TAB.4 REIHE C**  
**According to normative BS/OD (ASTM A270) for TUBE**  
 Flow: full and reduced  
 Material: Aisi 304L e 316L  
 Measure: from 1/2" to 4"  
 Seals: virgin P.T.F.E.  
 Operating temperature: -20°C +160°C  
 Outer finish: polished

### On request

Antistatic device ATEX (Directive 94/9/EC)

- KF connection
- Seals made of:  
 P.T.F.E. with glass  
 P.T.F.E. with carbographe  
 High-molecular weight polyethylene



CLAMP REIHE C DN/OD	DN	L	Ø A	Ø B	C	H	PN	Kg	CODE AISI 304L	CODE AISI 316L
1/2"	10	108	25	9,7	110	60	40	1,08		300130 61210
3/4"	15	118	25	16	110	65	40	1,30		300130 61810
1"	20	130	50,5	22,2	160	70	40	2,45		300130 62410
1"	25	140	50,5	22,2	160	80	40	3,13	300130 42610	300130 62610
1*1/2	32	156	50,5	34,8	190	95	40	4,90	300130 43210	300130 63210
1*1/2	40	172	50,5	34,8	190	110	40	7,26	300130 43410	300130 63410
2"	50	182	64	47,5	235	120	25	8,60	300130 43810	300130 63810
2*1/2 *	65	196	77,5	60,2	285	130	25	10,70	300130 44410	300130 64410
3" *	80	256	91	72,6	310	145	16	22,11	300130 44810	300130 64810
4" *	100	286	119	97,6	310	160	16	34,97	300130 45410	300130 65410

\* Four way