

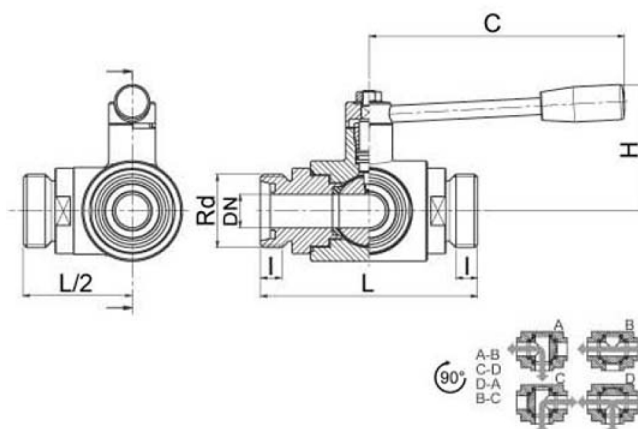


300125

THREE-way ball valve 4 seals with "T" port
 Drive: Inox lever
 Connection: DIN 11851 female/female/female
 Flow: full
 Material: Aisi 304 - 316
 Measure: from DN 10 to DN 100
 Seals: virgin P.T.F.E.
 Operating temperature: -20°C +160°C
 Outer finish: polished

On request:

- SMS connection
- MACON connection
- DIN male connection
- Seals made of:
 P.T.F.E. with glass
 P.T.F.E. with carbographite
 High-molecular weight polyethylene



| DIN | DN | Rd | L | I | C | H | PN | Kg | CODE AISI 304L | CODE AISI 316L |
|-------|---------------|------------|-----|----|-----|-----|----|-------|----------------|----------------|
| 10 | 10 | 28 x 1/8" | 108 | 12 | 110 | 60 | 40 | 1,08 | | 300125 60810 |
| 15 | 15 | 34 x 1/8" | 118 | 12 | 110 | 65 | 40 | 1,44 | | 300125 61410 |
| 20 | 20 | 44 x 1/6" | 130 | 14 | 160 | 70 | 40 | 2,27 | | 300125 62010 |
| 25 | 25 | 52 x 1/6" | 140 | 14 | 160 | 80 | 40 | 3,10 | 300125 42610 | 300125 62610 |
| 32 | 32 | 58 x 1/6" | 156 | 14 | 190 | 95 | 40 | 5,07 | 300125 43010 | 300125 63010 |
| 40 | 40 | 65 x 1/6" | 172 | 14 | 190 | 110 | 40 | 7,42 | 300125 43410 | 300125 63410 |
| 50 | 50 | 78 x 1/6" | 182 | 14 | 235 | 120 | 25 | 9,01 | 300125 43810 | 300125 63810 |
| 65 * | 65 | 95 x 1/6" | 196 | 16 | 285 | 130 | 25 | 10,95 | 300125 44410 | 300125 64410 |
| 80 * | 80 | 110 x 1/4" | 256 | 20 | 310 | 145 | 16 | 22,40 | 300125 44810 | 300125 64810 |
| 100 * | 100 | 130 x 1/4" | 286 | 20 | 310 | 160 | 16 | 35,00 | 300125 45410 | 300125 65410 |
| 125 * | (Reduced) 100 | 160 x 1/4" | 286 | 25 | 310 | 160 | 16 | - | 300125 45510 | 300125 65510 |

* Four way