

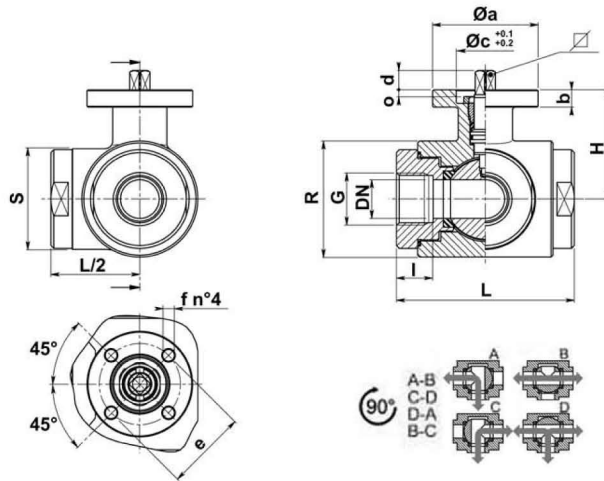


## 303001

THREE-way ball valve 4 seals with "T" port  
 Drive: ISO 5211 - DIN 3337 flange for actuator  
 Connection: ISO 228 female/female/female thread  
 Flow: full  
 Material: Aisi 304L - 316L  
 Measure: from 1/4" to 4"  
 Seals: virgin P.T.F.E.  
 Operating temperature: -20°C +160°C  
 Outer finish: polished

### On request

- ISO 7 thread
- NPT thread
- Seals made of:  
 P.T.F.E. with glass  
 P.T.F.E. with carbographite  
 High-molecular weight polyethylene



G	DN	L	I	H	R	S	PN	Kg	ISO-DIN	DIAM.A	B	DIAM.CXO	QU.	D	E	F	n° 4 bolt	NM	CODE AISI 304L	CODE AISI 316L
1/4"	12	72	16	46,5	45	40	40	0,95	F.03	46	9	25x3	9	8	36	6	M5x16	10	303001 40410	303001 60410
1/4"	12	72	16	46,5	45	40	40	1,01	F.04	54	9	30x3	11	10	42	6	M5x16	10	303001 4041F	303001 6041F
3/8"	12	72	16	46,5	45	40	40	0,92	F.03	46	9	25x3	9	8	36	6	M5x16	10	303001 40810	303001 60810
3/8"	12	72	16	46,5	45	40	40	0,96	F.04	54	9	30x3	11	10	42	6	M5x16	10	303001 4081F	303001 6081F
1/2"	15	82	18	49	52	42	40	1,13	F.03	46	9	25x3	9	8	36	6	M5x16	12	303001 41410	303001 61410
1/2"	15	82	18	49	52	42	40	1,27	F.04	54	9	30x3	11	10	42	6	M5x16	12	303001 4141F	303001 6141F
3/4"	20	92	19	56,5	60	52	40	1,87	F.04	54	9	30x3	11	10	42	6	M5x16	23	303001 42010	303001 62010
3/4"	20	92	19	56,5	60	52	40	1,93	F.05	65	9	35x3	14	13	50	7	M6x16	23	303001 4201F	303001 6201F
1"	25	102	20	61	70	60	40	2,49	F.04	54	9	30x3	11	10	42	6	M5x16	25	303001 42610	303001 62610
1"	25	102	20	61	70	60	40	2,65	F.05	65	12	35x3	14	13	50	7	M6x16	25	303001 4261F	303001 6261F
1 1/4"	32	118	20	81,5	85	75	40	4,38	F.05	65	12	35x4	14	13	50	7	M6x20	33	303001 43010	303001 63010
1 1/4"	32	118	20	81,5	85	75	40	4,95	F.07	90	12	55x4	17	15	70	9	M8x20	33	303001 4301F	303001 6301F
1 1/2"	40	134	20	89	100	90	40	6,65	F.05	65	12	35x4	14	13	50	7	M6x20	40	303001 43410	303001 63410
1 1/2"	40	134	20	89	100	90	40	6,82	F.07	90	12	55x4	17	15	70	9	M8x20	40	303001 4341F	303001 6341F
2"	50	144	20	91,5	110	100	25	8,29	F.07	90	12	55x4	17	15	70	9	M8x20	50	303001 43810	303001 63810
2"	50	144	20	91,5	110	100	25	8,70	F.10	125	12	70x4	22	18	102	11	M10x25	50	303001 4381F	303001 6381F
2 1/2"	65	160	22	101,5	123	95	25	9,86	F.07	90	12	55x4	17	15	70	9	M8x20	60	303001 44410	303001 64410
2 1/2"	65	160	22	101,5	123	95	25	10,25	F.10	125	12	70x4	22	18	102	11	M10x25	60	303001 4441F	303001 6441F
3"	80	200	26	116	160	115	16	20,20	F.07	90	12	55x4	17	15	70	9	M8x20	110	303001 44810	303001 64810
3"	80	200	26	116	160	115	16	20,70	F.10	125	12	70x4	22	18	102	11	M10x25	110	303001 4481F	303001 6481F
4"	100	240	26	131	190	145	16	32,50	F.07	90	12	55x4	17	15	70	9	M8x20	130	303001 45410	303001 65410
4"	100	240	26	131	190	145	16	33,00	F.10	125	12	70x4	22	18	102	11	M10x25	130	303001 4541F	303001 6541F

\* Maximum break-out torque in Nm

\*\* Four way