

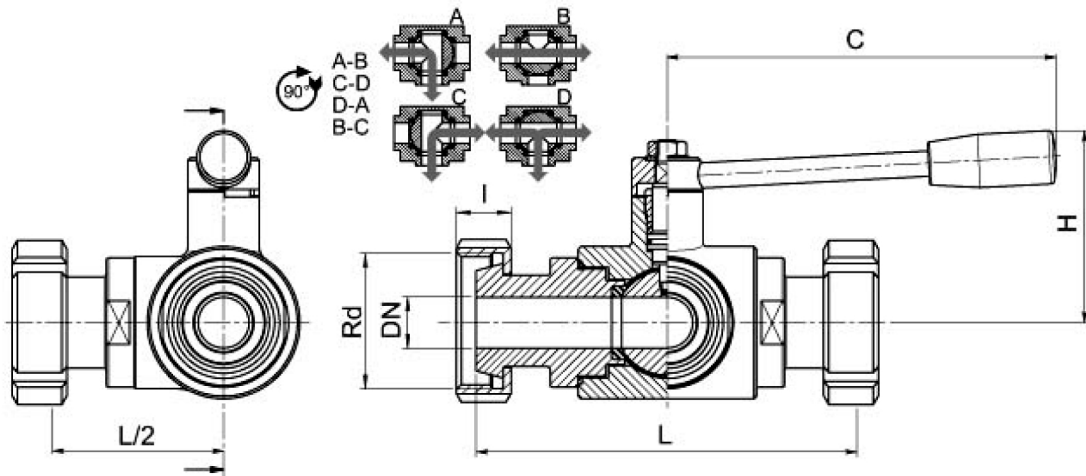


300127

THREE-way ball valve 4 seals with "T" port
 Drive: Inox lever
 Connection: DIN 11851 male/male/male
 Flow: full
 Material: Aisi 304 - 316
 Measure: from DN 10 to DN 100
 Seals: virgin P.T.F.E.
 Operating temperature: -20°C +160°C
 Outer finish: polished

On request:

- SMS connection
- MACON connection
- DIN female connection
- Seals made of:
 P.T.F.E. with glass
 P.T.F.E. with carbographite
 High-molecular weight polyethylene



DN	Rd	L	I	C	H	PN	KG	CODE AISI 304L	CODE AISI 316L
10	28 x 1/8"	116	18	110	60	40	-		300127 60810
15	34 x 1/8"	126	18	110	65	40	-		300127 61410
20	44 x 1/6"	144	21	160	70	40	-		300127 62010
25	52 x 1/6"	158	21	160	80	40	-	300127 42610	300127 62610
32	58 x 1/6"	174	21	190	95	40	-	300127 43010	300127 63010
40	65 x 1/6"	190	21	190	110	40	-	300127 43410	300127 63410
50	78 x 1/6"	202	22	235	120	25	-	300127 43810	300127 63810
65 *	95 x 1/6"	214	25	285	130	25	-	300127 44410	300127 64410
80 *	110 x 1/4"	266	30	310	145	16	-	300127 44810	300127 64810
100 *	130 x 1/4"	302	31	310	160	16	-	300127 45410	300127 65410

* Four way