

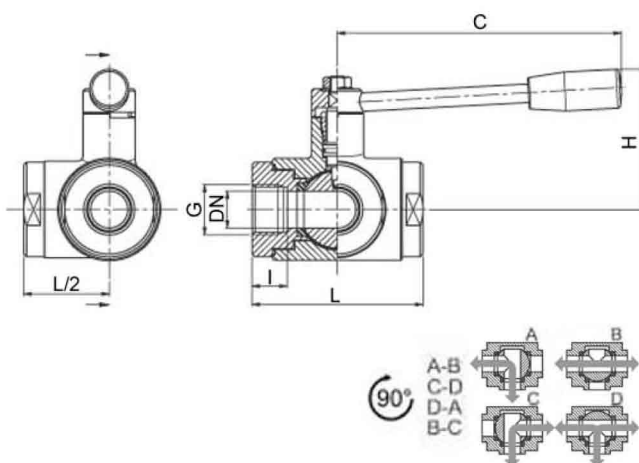


300101

THREE-way ball valve 4 seals with "T"
 Drive: Inox lever
 Connection: ISO 228 female/female/female thread
 Flow: full
 Material: Aisi 304L - 316L
 Measure: from 1/4" to 4"
 Seals: virgin P.T.F.E.
 Operating temperature: -20°C +160°C
 Outer finish: polished

On request:

- ISO 7 thread
- NPT thread
- Seals made of:
 P.T.F.E. with glass
 P.T.F.E. with carbographe
 High-molecular weight polyethylene



G	DN	L	I	C	H	PN	Kg	CODE AISI 304L	CODE AISI 316L
1/4"	12	72	16	110	60	40	0,91	300101 40410	300101 60410
3/8"	12	72	16	110	60	40	0,90	300101 40810	300101 60810
1/2"	15	82	18	110	65	40	1,20	300101 41410	300101 61410
3/4"	20	92	19	160	70	40	1,88	300101 42010	300101 62010
1"	25	102	20	160	80	40	2,50	300101 42610	300101 62610
1"1/4	32	118	20	190	95	40	4,42	300101 43010	300101 63010
1"1/2	40	134	20	190	110	40	6,68	300101 43410	300101 63410
2"	50	144	20	235	120	25	7,99	300101 43810	300101 63810
2"1/2 *	65	160	22	285	130	25	9,84	300101 44410	300101 64410
3" *	80	200	26	310	145	16	20,30	300101 44810	300101 64810
4" *	100	240	26	310	160	16	32,75	300101 45410	300101 65410

* Four way