



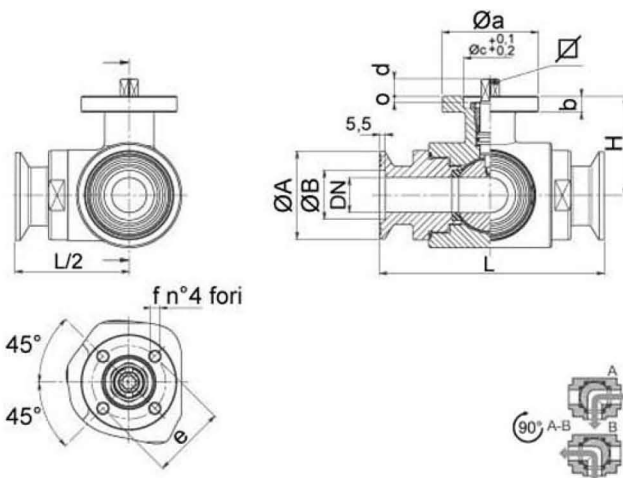
## 313031

THREE-way ball valve 4 seals with "L" port  
 Drive: ISO 5211 - DIN 3337 flange for actuator  
 Connection: GAROLLA  
 Flow: full and reduced  
 Material: Aisi 316  
 Measure: from DN 32 to DN 100  
 Seals: virgin P.T.F.E.  
 Operating temperature: -20°C +160°C  
 Outer finish: polished

### On request:

ON REQUEST GAROLLA WITH:

- ISO 228 thread
- DIN F or M connection
- Flanges connection
- Seals made of:  
 P.T.F.E. with glass  
 P.T.F.E. with carbographe  
 High-molecular weight polyethylene



GAR	DN	L	Ø A	Ø B	H	PN	KG	ISO-DIN	Ø a	B	Ø c x o	QU.	d	e	f	n°4 bolts	Nm *	CODE AISI 304L	CODE AISI 316L
40	32	156	65	48	81,5	40	6,15	F.05	65	12	35x4	14	13	50	7	M6x20	33	313031 43210	313031 63210
40	32	156	65	48	81,5	40	6,45	F.07	90	12	55x4	17	15	70	9	M8x20	33	313031 4321F	313031 6321F
40	40	172	65	48	89	40	7,61	F.05	65	12	35x4	14	13	50	7	M6x20	40	313031 43410	313031 63410
40	40	172	65	48	89	40	7,78	F.07	90	12	55x4	17	15	70	9	M8x20	40	313031 4341F	313031 6341F
50	50	182	75	56	91,5	25	9,23	F.07	90	12	55x4	17	15	70	9	M8x20	50	313031 43810	313031 63810
50	50	182	75	56	91,5	25	9,63	F.10	125	12	70x4	22	18	102	11	M10x25	50	313031 4381F	313031 6381F
60	50	182	87	66	91,5	25	9,38	F.07	90	12	55x4	17	15	70	9	M8x20	50	313031 43910	313031 63910
60	50	182	87	66	91,5	25	9,75	F.10	125	12	70x4	22	18	102	11	M10x25	50	313031 4391F	313031 6391F
70 **	65	196	97	76	101,5	25	11,43	F.07	90	12	55x4	17	15	70	9	M8x20	60	313031 44410	313031 64410
70 **	65	196	97	76	101,5	25	11,93	F.10	125	12	70x4	22	18	102	11	M10x25	60	313031 4441F	313031 6441F
80 **	80	256	109	86	116	16	23,13	F.07	90	12	55x4	17	15	70	9	M8x20	110	313031 44810	313031 64810
80 **	80	256	109	86	116	16	23,63	F.10	125	12	70x4	22	18	102	11	M10x25	110	313031 4481F	313031 6481F
100 **	100	286	129	106	131	16	35,88	F.07	90	12	55x4	17	15	70	9	M8x20	130	313031 45410	313031 65410
100 **	100	286	129	106	131	16	36,38	F.10	125	12	70x4	22	18	102	11	M10x25	130	313031 4541F	313031 6541F
120 **	100	296	158	129	131	16	38,38	F.07	90	12	55x4	17	15	70	9	M8x20	130	313031 45510	313031 65510
120 **	100	296	158	129	131	16	38,88	F.10	125	12	70x4	22	18	102	11	M10x25	130	313031 4551F	313031 6551F

\* Maximum break-out torque in Nm

\*\* Four way