



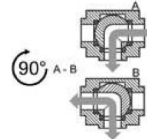
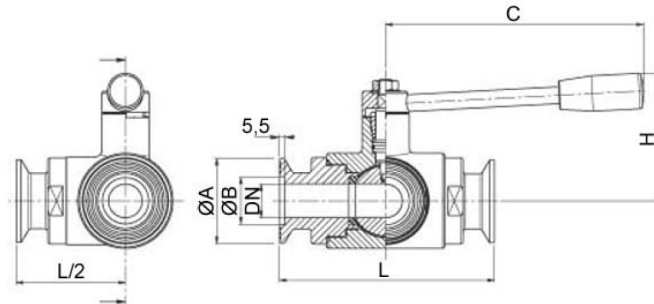
## 370131

THREE-way ball valve three seals with "L" port  
 Drive: Inox lever  
 Connection: GAROLLA  
 Flow: full and reduced  
 Material: Aisi 304L - 316L  
 Measure: from DN 65 to DN 100  
 Seals: virgin P.T.F.E.  
 Operating temperature: -20°C +160°C  
 Outer finish: polished

### On request

Antistatic device ATEX (Directive 94/9/EC)

- ISO 228 thread
- DIN F or M connection
- Flanged connection
- Seals made of:  
 P.T.F.E. with glass  
 P.T.F.E. with carbographite  
 High-molecular weight polyethylene



GAR	DN	L	Ø A	Ø B	C	H	PN	KG	CODE AISI 304L	CODE AISI 316L
70	65	196	97	76	235	130	6	10,50	370131 44410	370131 64410
80	80	256	109	86	285	145	6	18,90	370131 44810	370131 64810
100	100	286	129	106	310	160	6	29,50	370131 45410	370131 65410
120	100	298	158	129	310	160	6	32,00	370131 45510	370131 65510