



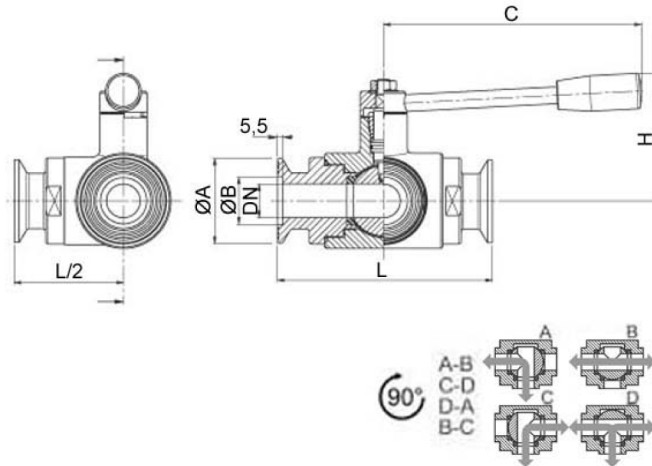
360131

THREE-way ball valve three seals with "T" port
 Drive: Inox lever
 Connection: GAROLLA
 Flow: full and reduced
 Material: Aisi 304L - 316L
 Measure: from DN 65 to DN 100
 Seals: virgin P.T.F.E.
 Operating temperature: -20°C +160°C
 Outer finish: polished

On request

Antistatic device ATEX (Directive 94/9/EC)

- ISO 228 thread
- DIN F or M connection
- Flanged connection
- Seals made of:
 - P.T.F.E. with glass
 - P.T.F.E. with carbographite
 - High-molecular weight polyethylene



GAR	DN	L	Ø A	Ø B	C	H	PN	KG	CODE AISI 304L	CODE AISI 316L
70	65	196	97	76	235	130	6	10,20	360131 44410	360131 64410
80	80	256	109	86	285	145	6	18,20	360131 44810	360131 64810
100	100	286	129	106	310	160	6	28,40	360131 45410	360131 65410
120	100	298	158	129	310	160	6	30,90	360131 45510	360131 65510