



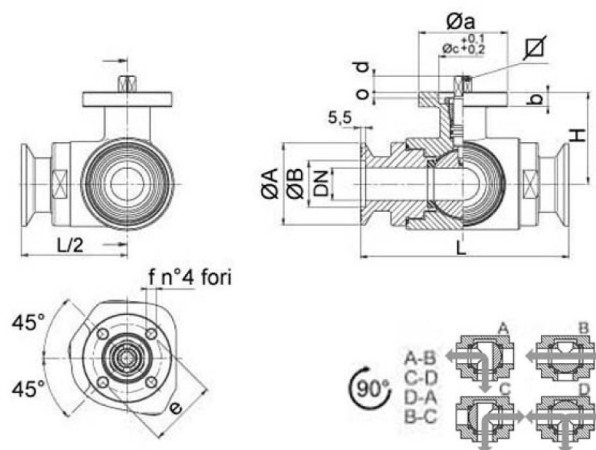
363031

THREE-way ball valve three seals with "T" port
 Drive: ISO 5211 - DIN 3337 flange for actuator
 Connection: GAROLLA
 Flow: full and reduced
 Material: Aisi 304L - 316L
 Measure: from DN 65 to DN 100
 Seals: virgin P.T.F.E.
 Operating temperature: -20°C +160°C
 Outer finish: polished

On request

Antistatic device ATEX (Directive 94/9/EC)

- KF connection
- Seals made of:
 P.T.F.E. with glass
 P.T.F.E. with carbographite
 High-molecular weight polyethylene



GAR	DN	L	Ø A	Ø B	H	PN	KG	ISO-DIN	Ø a	B	Ø CxO	QU.	D	E	F	N4 VITI	NM	CODE AISI 304L	CODE AISI 316L
70	65	196	97	76	101,5	6	9,95	F.07	90	12	55x4	17	15	70	9	M8x20	60	363031 44410	363031 64410
70	65	196	97	76	101,5	6	10,45	F.10	125	12	70x4	22	18	102	11	M10x25	60	363031 4441F	363031 6441F
80	80	256	109	86	116	6	18,00	F.07	90	12	55x4	17	15	70	9	M8x20	75	363031 44810	363031 64810
80	80	256	109	86	116	6	18,50	F.10	125	12	70x4	22	18	102	11	M10x25	75	363031 4481F	363031 6481F
100	100	286	129	106	131	6	28,20	F.07	90	12	55x4	17	15	70	9	M8x20	110	363031 45410	363031 65410
100	100	286	129	106	131	6	28,70	F.10	125	12	70x4	22	18	102	11	M10x25	110	363031 4541F	363031 6541F
120	100	298	158	129	131	6	30,70	F.07	90	12	55x4	17	15	70	9	M8x20	110	363031 45510	363031 65510
120	100	298	159	129	131	6	31,20	F.10	125	12	70x4	22	18	102	11	M10x25	110	363031 4551F	363031 6551F

* Maximum break-out torque in Nm