



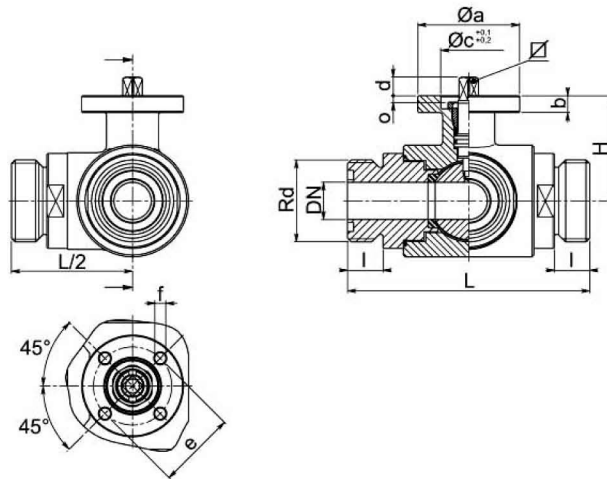
## 303044

THREE-way ball valve 4 seals with "T"  
 Drive: ISO 5211 - DIN 3337 flange for actuator  
 Connection: SMS female/female/female  
 Flow: full  
 Material: Aisi 304 - 316  
 Measure: from DN 10 to DN 100  
 Seals: virgin P.T.F.E.  
 Operating temperature: -20°C +160°C  
 Outer finish: polished

### On request

Antistatic device ATEX (Directive 94/9/EC)

- Seals made of:  
 P.T.F.E. with glass  
 P.T.F.E. with carbographe  
 High-molecular weight polyethylene



SMS	DN	Rd	L	I	H	PN	Kg	ISO-DIN	DIAM.A	B	DIAM.CXO	QU.	D	E	F	N4 VITI	NM	CODE AISI 304L	CODE AISI 316L
25	20	40 x 1/6"	130	19	56,5	40	2,30	F.04	54	9	30x3	11	10	42	6	M5x16	23	303044 42010	303044 62010
25	20	40 x 1/6"	130	19	56,5	40	2,45	F.05	65	9	35x3	14	13	50	7	M6x16	23	303044 4201F	303044 6201F
25	25	40 x 1/6"	140	19	61	40	3,02	F.04	54	9	30x3	11	10	42	6	M5x16	25	303044 42610	303044 62610
25	25	40 x 1/6"	140	19	61	40	3,15	F.05	65	9	35x3	14	13	50	7	M6x16	25	303044 4261F	303044 6261F
38	32	60 x 1/6"	156	19	81,5	40	5,04	F.05	65	9	35x4	14	13	50	7	M6x20	33	303044 43210	303044 63210
38	32	60 x 1/6"	156	19	81,5	40	5,18	F.07	90	12	55x4	17	15	70	9	M8x20	33	303044 4321F	303044 6321F
38	40	60 x 1/6"	172	19	89	40	7,42	F.05	65	12	35x4	14	13	50	7	M6x20	40	303044 43410	303044 63410
38	40	60 x 1/6"	172	19	89	40	7,59	F.07	90	12	55x4	17	15	70	9	M8x20	40	303044 4341F	303044 6341F
51	50	70 x 1/6"	182	19	91,5	25	9,10	F.07	90	12	55x4	17	15	70	9	M8x20	50	303044 43810	303044 63810
51	50	70 x 1/6"	182	19	91,5	25	9,27	F.10	125	12	70x4	22	18	102	11	M10x25	50	303044 4381F	303044 6381F
63	65 **	85 x 1/6"	196	21	101,5	25	11,00	F.07	90	12	55x4	17	15	70	9	M8x20	60	303044 44410	303044 64410
63	65 **	85 x 1/6"	196	21	101,5	25	11,50	F.10	125	12	70x4	22	18	102	11	M10x25	60	303044 4441F	303044 6441F
76	65 **	98 x 1/6"	196	21	101,5	25	-	F.07	90	12	55x4	17	15	70	9	M8x20	60	303044 44510	303044 64510
76	65 **	98 x 1/6"	196	21	101,5	25	-	F.10	125	12	70x4	22	18	102	11	M10x25	60	303044 4451F	303044 6451F
76	80 **	98 x 1/6"	256	27	116	16	22,63	F.07	90	12	55x4	17	15	70	9	M8x20	110	303044 44810	303044 64810
76	80 **	98 x 1/6"	256	27	116	16	22,13	F.10	125	12	70x4	22	18	102	11	M10x25	110	303044 4481F	303044 6481F
104	100 **	125 x 1/4"	286	27	131	16	34,83	F.07	90	12	55x4	17	15	70	9	M8x20	130	30304445410	303044 65410
104	100 **	125 x 1/4"	286	27	131	16	35,36	F.10	125	12	70x4	22	18	102	11	M10x25	130	303044 4541F	303044 6541F
101	100 **	132 x 1/6"	286	27	131	16	-	F.07	90	12	55x4	17	15	70	9	M8x20	130	303044 45510	303044 65510
101	100 **	132 x 1/6"	286	27	131	16	-	F.10	125	12	70x4	22	18	102	11	M10x25	130	303044 4551F	303044 6551F

\* Maximum break-out torque in Nm

\*\* Four way