



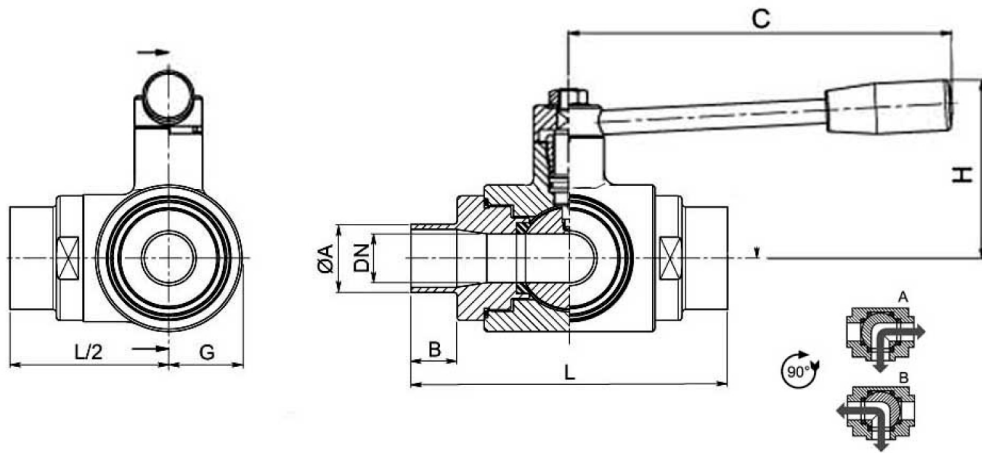
310142

THREE-way ball valve 4 seals with "L" port
 Drive: Inox lever
 Connection: butt-welding in according to BS-OD (ASTM A-270)
 Flow: full and reduced
 Material: Aisi 316L
 Measure: DN10 a DN100
 Seals: virgin P.T.F.E.
 Operating temperature: -20°C +160°C
 Outer finish: polished

On request

Antistatic device ATEX (Directive 94/9/EC)

- Seals made of:
 P.T.F.E. with glass
 P.T.F.E. with carbograpthite
 High-molecular weight polyethylene



DN	Ø A	B	L	G	C	PN	Kg	CODE AISI 316L
10	12,7 X 1,65	17	108	22,5	110	40	-	310142 6A710
15	19,05 X 1,65	18	118	26	110	40	-	310142 6B910
20	25,4 X 1,65	19	130	30	160	40	-	310142 6D710
25	25,4 X 1,65	19	140	35	160	40	-	310142 6D810
32	38,1 X 1,65	19	156	42,5	190	40	-	310142 6J910
40	38,1 X 1,65	19	172	50	190	40	-	310142 6K110
50	50,8 X 1,65	19	182	55	235	25	-	310142 6M810
65	63,5 X 1,65	21	196	80	285	25	-	310142 6R710
80	76,1 X 2	27	256	100	310	16	-	310142 6U710
100	101,6 X 2,11	27	286	120	310	16	-	310142 6X410

* Maximum break-out torque in Nm