



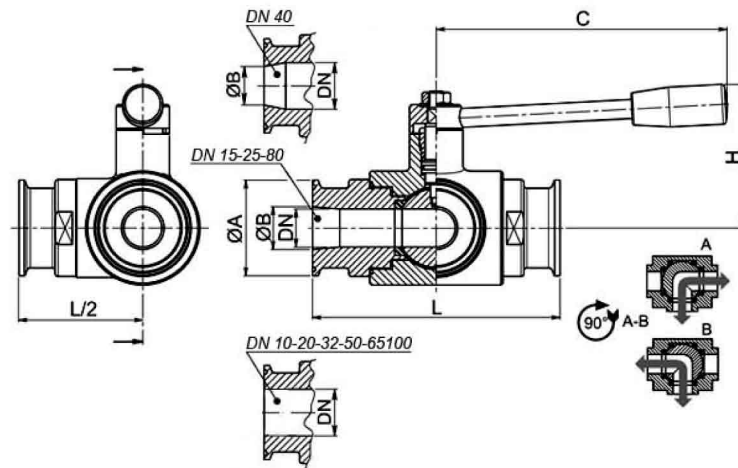
310130_DIN

THREE-way ball valve 4 seals with "L" port
 Drive: Inox lever
 Connection: **CLAMP normative DIN 32676 TAB.2 REIHE A**
According to normative DIN 11850 for TUBE
 Flow: full and reduced
 Material: Aisi 304L e 316L
 Measure: from DN10 to DN100
 Seals: virgin P.T.F.E.
 Operating temperature: -20°C +160°C
 Outer finish: polished

On request

Antistatic device ATEX (Directive 94/9/EC)

- KF connection
- Seals made of:
 P.T.F.E. with glass
 P.T.F.E. with carbographe
 High-molecular weight polyethylene



CLAMP REIHE A DN	L	Ø A	Ø B	C	H	PN	Kg	CODE AISI 304L	CODE AISI 316L
10	108	34	10	110	60	40	-		310130 61410
15	118	34	16	110	65	40	-		310130 61910
20	130	34	20	160	70	40	-		310130 62010
25	140	50,5	26	160	80	40	-	310130 42810	310130 62810
32	156	50,5	32	190	95	40	-	310130 43010	310130 63010
40	172	50,5	38	190	110	40	-	310130 43510	310130 63510
50	182	64	50	235	120	25	-	310130 44010	310130 64010
65	196	91	66	285	130	25	-	310130 44610	310130 64610
80	256	106	81	310	145	16	-	310130 44910	310130 64910
100	286	119	100	310	160	16	-	310130 45610	310130 65610

* Four way