



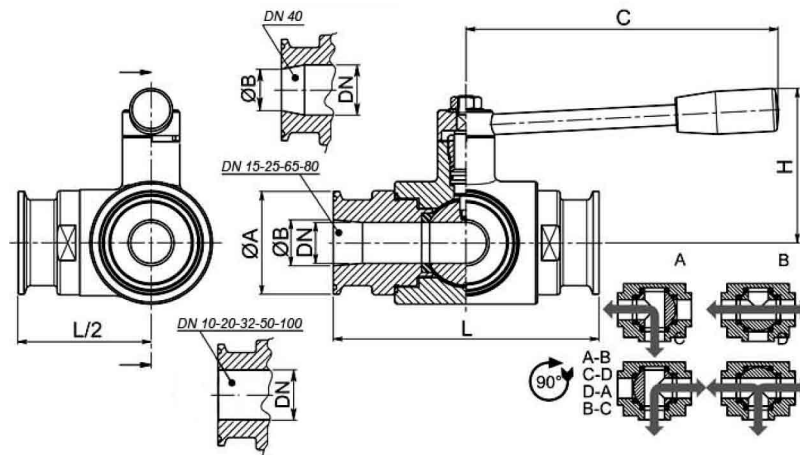
300130_DIN

THREE-way ball valve 4 seals with "T" port
 Drive: Inox lever
 Connection: **CLAMP normative DIN 32676 TAB.2 REIHE A**
According to normative DIN 11850 for TUBE
 Flow: full and reduced
 Material: Aisi 304L e 316L
 Measure: from DN10 to DN100
 Seals: virgin P.T.F.E.
 Operating temperature: -20°C +160°C
 Outer finish: polished

On request

Antistatic device ATEX (Directive 94/9/EC)

- KF connection
- Seals made of:
 - P.T.F.E. with glass
 - P.T.F.E. with carbographe
 - High-molecular weight polyethylene



CLAMP REIHE A DN	L	Ø A	Ø B	C	H	PN	Kg	CODE AISI 304L	CODE AISI 316L
10	108	34	10	110	60	40	1,08		300130 61410
15	118	34	16	110	65	40	1,30		300130 61910
20	130	34	20	160	70	40	2,45		300130 62010
25	140	50,5	26	160	80	40	3,13	300130 42810	300130 62810
32	156	50,5	32	190	95	40	4,90	300130 43010	300130 63010
40	172	50,5	38	190	110	40	7,26	300130 43510	300130 63510
50	182	64	50	235	120	25	8,60	300130 44010	300130 64010
65	196	91	66	285	130	25	10,70	300130 44610	300130 64610
80	256	106	81	310	145	16	22,11	300130 44910	300130 64910
100	286	119	100	310	160	16	34,97	300130 45610	300130 65610

* Four way