

# POMPE NAUTIC

## NAUTIC PUMP TYPE

6



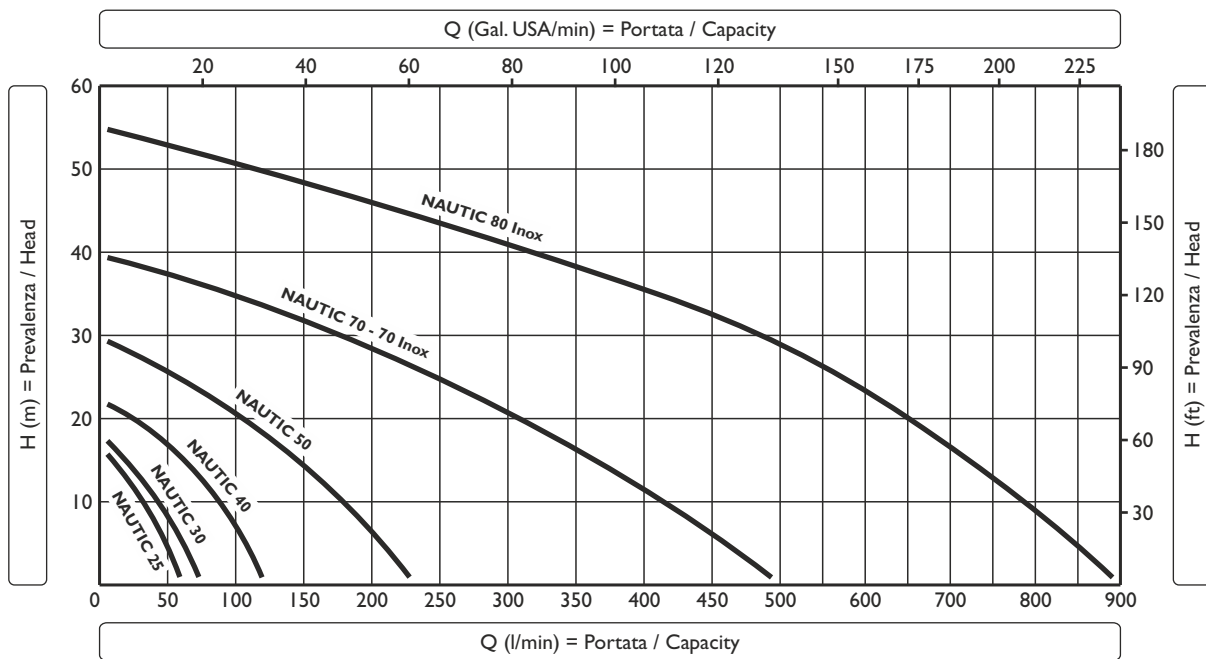
**NAUTIC 25-30-40-50**



**NAUTIC 70**

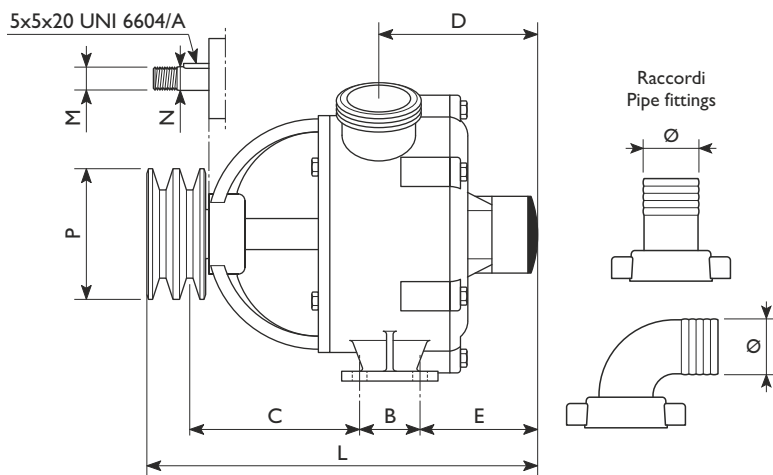
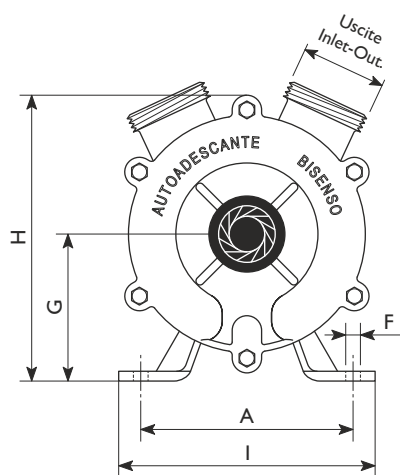
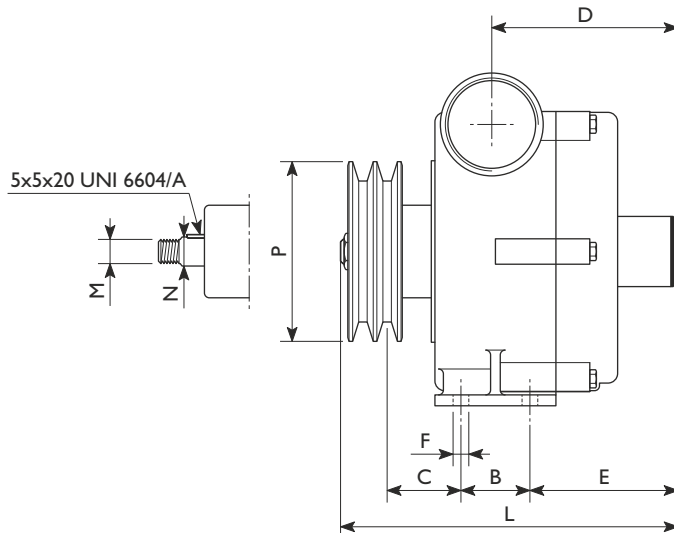
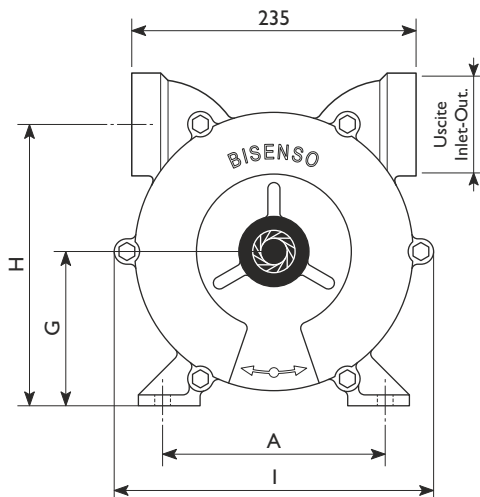


**NAUTIC 80 Inox**

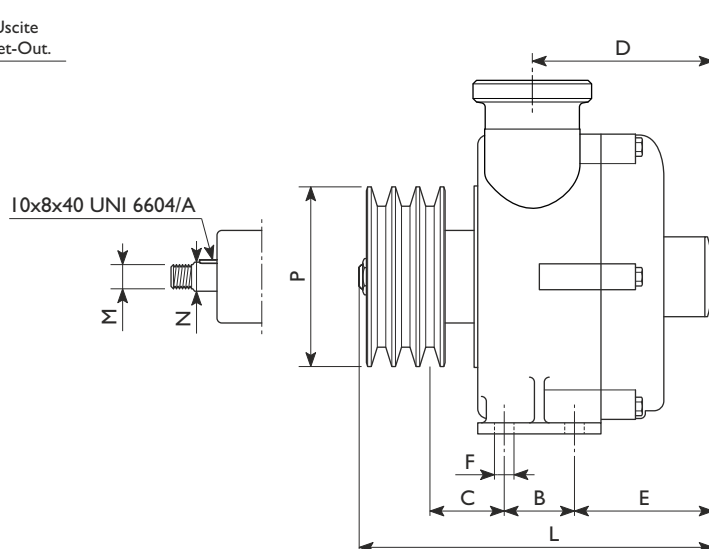
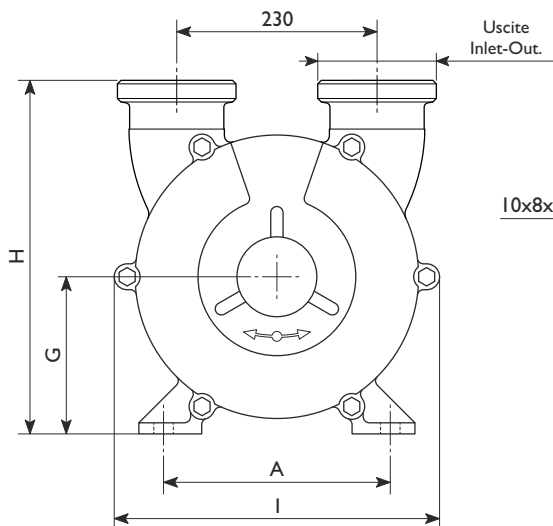


Tipo Type	Codice Code	Materiale Material	Peso Weight	Giri/min Rpm	H (m) = Prevalenza / Head - Q (l/min) = Portata / Capacity												
					0	5	10	15	18	22	30	40	45	55	H		
<b>NAUTIC 25</b>	51132500	Bronzo/Bronze	4,1 kg	2800	60	50	25	8	0						Q		
<b>NAUTIC 30</b>	51133000	Bronzo/Bronze	5,7 kg	1400	75	60	40	15	0								
<b>NAUTIC 40</b>	51134000	Bronzo/Bronze	7,4 kg	1400	120	110	85	55	45	0							
<b>NAUTIC 50</b>	51135000	Bronzo/Bronze	12,8 kg	1400	230	210	175	140	125	85	0						
<b>NAUTIC 70</b>	51137000	Bronzo/Bronze	25,3 kg	1400	500	460	415	370	330	280	165	0					
<b>NAUTIC 70 Inox</b>	60137000	Inox AISI 316	25,3 kg	1400	500	460	415	370	330	280	165	0					
<b>NAUTIC 80 Inox</b>	60138000	Inox AISI 316	40,0 kg	1400	900	840	785	720	660	620	500	300	220	0			

## NAUTIC 25-30-40-50

NAUTIC 70  
NAUTIC 70 Inox

## NAUTIC 80 Inox



Tipo Type	Uscite Inlet-Outlet	Raccordi Pipe fittings	Dimensioni (mm) / Dimensions (mm)												
			A	B	C	D	E	F	G	H	I	L	M	N	P
NAUTIC 25	BSP-M 1"	Ø25	119,5	25	80	80	68	Ø6,75	63	116	140	195	M14x1,5	Ø14,5	Ø70x1A
NAUTIC 30	BSP-M 1"1/4	Ø30 - Ø35	130	28	103	85	70	Ø9	90	175	157	218	M14x1,5	Ø14,5	Ø70x1A
NAUTIC 40	BSP-M 1"1/2	Ø40 - Ø45	130	37	108	105	76	Ø9	90	175	157	245	M14x1,5	Ø14,5	Ø80x2A
NAUTIC 50	BSP-M 2"	Ø50	160	40	138	125	91	Ø11	120	225	188	298	M16	Ø19	Ø80x2A
NAUTIC 70	BSP-F 2"1/2	n.d.	184	57	64	144	110	Ø13	128	231	260	269	M18x1,5	Ø24	Ø149x2B
NAUTIC 70 Inox	BSP-M 2"1/2 *	n.d.	184	57	64	144	110	Ø13	128	231	260	269	M18x1,5	Ø24	Ø149x2B
NAUTIC 80 Inox	Garolla 80	n.d.	250	60	65	181	144	Ø13	160	327	315	330	M20x1,5	Ø30	Ø167x3B

ISO R 52-253

\* = Uscite standard BSP (Gas), altre uscite disponibili p.20 / Standard inlet-outlet BSP (Gas), different inlet-outlet are available see p.20  
n.d. = Raccordi non disponibili / Pipe fittings not available