



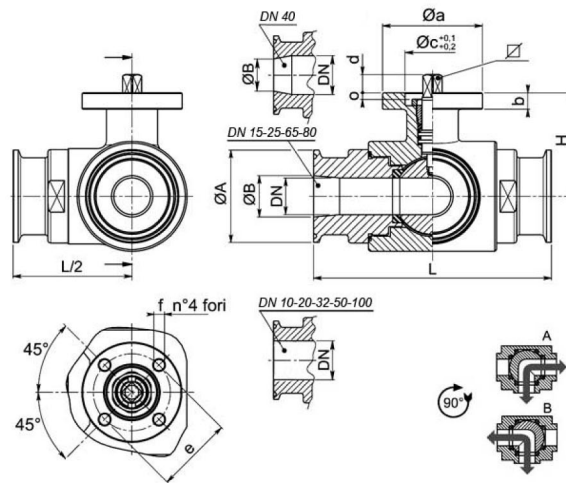
## 313030\_DIN

THREE-way ball valve 4 seals with "L" port  
 Drive: ISO 5211 - DIN 3337 flange for actuator  
 Connection: **CLAMP normative DIN 32676 TAB.2 REIHE A**  
**According to normative DIN 11850 for TUBE**  
 Flow: full and reduced  
 Material: Aisi 304L e 316L  
 Measure: from DN10 to DN100  
 Seals: virgin P.T.F.E.  
 Operating temperature: -20°C +160°C  
 Outer finish: polished

### On request

Antistatic device ATEX (Directive 94/9/EC)

- KF connection
- Seals made of:  
 P.T.F.E. with glass  
 P.T.F.E. with carbographite  
 High-molecular weight polyethylene



| CLAMP REIHE A DN | L   | Ø A  | Ø B | H     | PN | Kg    | ISO-DIN | Ø a | B  | Ø c x o |    | D  | E   | F  | n°4 bolts | NM  | CODE AISI 304L | CODE AISI 316L |
|------------------|-----|------|-----|-------|----|-------|---------|-----|----|---------|----|----|-----|----|-----------|-----|----------------|----------------|
| 10               | 108 | 34   | 10  | 46,5  | 40 | 1,07  | F.03    | 46  | 9  | 25x3    | 9  | 8  | 36  | 6  | M5x16     | 10  |                | 313030 61410   |
| 10               | 108 | 34   | 10  | 46,5  | 40 | 1,11  | F.04    | 54  | 9  | 30x3    | 11 | 10 | 42  | 6  | M5x16     | 10  |                | 313030 6141F   |
| 15               | 118 | 34   | 16  | 49    | 40 | 1,32  | F.03    | 46  | 9  | 25x3    | 9  | 8  | 36  | 6  | M5x16     | 12  |                | 313030 61910   |
| 15               | 118 | 34   | 16  | 49    | 40 | 1,36  | F.04    | 54  | 9  | 30x3    | 11 | 10 | 42  | 6  | M5x16     | 12  |                | 313030 6191F   |
| 20               | 130 | 34   | 20  | 56,5  | 40 | 2,45  | F.04    | 54  | 9  | 30x3    | 11 | 10 | 42  | 6  | M5x16     | 23  |                | 313030 62010   |
| 20               | 130 | 34   | 20  | 56,5  | 40 | 2,60  | F.05    | 65  | 9  | 35x3    | 14 | 13 | 50  | 7  | M6x16     | 23  |                | 313030 6201F   |
| 25               | 140 | 50,5 | 26  | 61    | 40 | 3,16  | F.04    | 54  | 9  | 30x3    | 11 | 10 | 42  | 6  | M5x16     | 25  | 313030 42810   | 313030 62810   |
| 25               | 140 | 50,5 | 26  | 61    | 40 | 3,26  | F.05    | 65  | 9  | 35x3    | 14 | 13 | 50  | 7  | M6x16     | 25  | 313030 4281F   | 313030 6281F   |
| 32               | 156 | 50,5 | 32  | 81,5  | 40 | 4,95  | F.05    | 65  | 12 | 35x4    | 14 | 13 | 50  | 7  | M6x20     | 33  | 313030 43010   | 313030 63010   |
| 32               | 156 | 50,5 | 32  | 81,5  | 40 | 5,12  | F.07    | 90  | 12 | 55x4    | 17 | 15 | 70  | 9  | M8x20     | 33  | 313030 4301F   | 313030 6301F   |
| 40               | 172 | 50,5 | 38  | 89    | 40 | 7,40  | F.05    | 65  | 12 | 35x4    | 14 | 13 | 50  | 7  | M6x20     | 40  | 313030 43510   | 313030 63510   |
| 40               | 172 | 50,5 | 38  | 89    | 40 | 7,57  | F.07    | 90  | 12 | 55x4    | 17 | 15 | 70  | 9  | M8x20     | 40  | 313030 4351F   | 313030 6351F   |
| 50               | 182 | 64   | 50  | 91,5  | 25 | 8,83  | F.07    | 90  | 12 | 55x4    | 17 | 15 | 70  | 9  | M8x20     | 50  | 313030 44010   | 313030 64010   |
| 50               | 182 | 64   | 50  | 91,5  | 25 | 9,00  | F.10    | 125 | 12 | 70x4    | 22 | 18 | 102 | 11 | M10x25    | 50  | 313030 4401F   | 313030 6401F   |
| 65               | 196 | 91   | 66  | 101,5 | 25 | 10,97 | F.07    | 90  | 12 | 55x4    | 17 | 15 | 70  | 9  | M8x20     | 60  | 313030 44610   | 313030 64610   |
| 65               | 196 | 91   | 66  | 101,5 | 25 | 11,47 | F.10    | 125 | 12 | 70x4    | 22 | 18 | 102 | 11 | M10x25    | 60  | 313030 4461F   | 313030 6461F   |
| 80               | 256 | 106  | 81  | 116   | 16 | 22,50 | F.07    | 90  | 12 | 55x4    | 17 | 15 | 70  | 9  | M8x20     | 110 | 313030 44910   | 313030 64910   |
| 80               | 256 | 106  | 81  | 116   | 16 | 23,00 | F.10    | 125 | 12 | 70x4    | 22 | 18 | 102 | 11 | M10x25    | 110 | 313030 4491F   | 313030 6491F   |
| 100              | 286 | 119  | 100 | 131   | 16 | 34,87 | F.07    | 90  | 12 | 55x4    | 17 | 15 | 70  | 9  | M8x20     | 130 | 313030 45610   | 313030 65610   |
| 100              | 286 | 119  | 100 | 131   | 16 | 35,35 | F.10    | 125 | 12 | 70x4    | 22 | 18 | 102 | 11 | M10x25    | 130 | 313030 4561F   | 313030 6561F   |

\* Maximum break-out torque in Nm

\*\* Four way